

101

C O P E N H A G E N



Big Foot Stool - Smoked Sand

Designed by

Kristian Sofus Hansen &
Tommy Hyldahl

Big Foot Stool - Smoked Sand

Product Description

The Big Foot Stool is more than just a seat it's a bold expression of style and creativity.

Inspired by the iconic 1970s upholstery movement, its thick cylindrical legs and geometric form exude confidence and charm.

Whether used as an extra seat that moves effortlessly wherever needed or as a sculptural centrepiece that commands attention, this versatile piece transforms any space into a sanctuary of comfort and design. Elevate your surroundings with a statement that blends function, artistry, and timeless appeal.

Upholstered in soft and tactile Bouclé, the fabric offers a rich texture that elevates the seating experience with a touch of luxury.

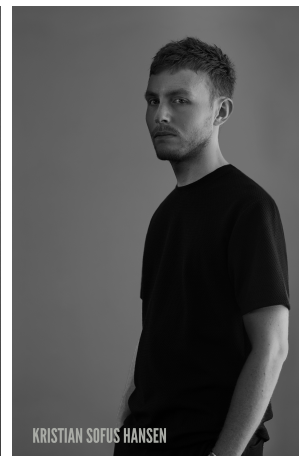
Designer Description

Tommy Hyldahl and Kristian Sofus Hansen intertwine their distinct sensibilities to create designs where storytelling, materiality, and timeless form meet in quiet harmony.

With a background in fashion, Tommy brings an intuitive eye for trends, colors, and textures. His process is one of layering histories, blending details and references from past design periods and reimagining them into something fresh and contemporary. Each collection unfolds as a narrative, evolving from concept to creation, with every element contributing to a greater story.

Kristian, who has lived and studied in Japan, seeks to unite Japanese aesthetics with Danish design, creating a characteristic twist on simplicity itself. His work is defined by the search for subtle, original details that elevate each piece with a unique signature. Drawing inspiration from art and sculpture, his creative process unfolds in new and exciting ways, always striving to craft designs that are both functional and timeless.

Together, they craft design that transcends time, poetic yet practical, expressive yet enduring.



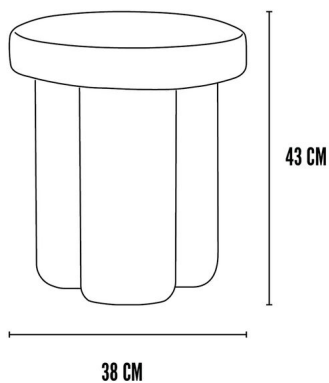
Big Foot Stool - Smoked Sand

Main

SKU	244005	Product Family	Big Foot
Product name	Big Foot Stool - Smoked Sand	Color	Smoked Sand (CPH 904)
Product Type	Stool	Size	Regular
		Unit	Piece

Logistics

EAN number	4251501412090	Package - CBM	0.072
Package height in cm	45.00	Package - Weight KG	7.500
Package width in cm	40.00	Tariff Code No	9403609090
Package length in cm	40.00	Country of origin	China
Suitable for Courier	Yes	Quantity of Inner Boxes	1



Big Foot Stool - Smoked Sand

Product

Materials	Bouclé	Net weight in kg	6.3
Item Height in cm	43.00	Space Suitability	
Item width in cm	38.00	Strength Test	No
Item length in cm	38.00	FSC Wood	No

Upholstery

Fabric	Copenhagen 904	Cigarette Test - CAL-117	No
Martindale	100.000	Cigarette Test - EN 1021-1	No
Colour Fastness to Light	4	Cigarette Test - BS5852 Part 1	Yes
Pilling	5.000 Rubs	Match Flame Test - EN 1021-2	No
Oeko Tex	N/A	Ignition Source 5 (Crib 5) - BS 5852 Part 2	No
Fire Test Foam	CAL-117	NF P92-507 - Class M1	No

Big Foot Stool - Smoked Sand

Family Description Text

The Big Foot Collection is more than furniture; it is a sculptural language of bold forms and quiet strength. Rooted in the spirit of the 1970s yet reimagined for the present, it carries a presence that feels both commanding and inviting. Inspired by brutalist architecture and contemporary sculpture, each piece is anchored by its iconic cylindrical legs, modern in expression and timeless in character, lending every design a sense of quiet monumentality.

Within the collection, two worlds converge: the warmth of upholstery and the raw allure of fiber concrete. The upholstered pieces wrap their geometric silhouettes in softness, balancing resilience with comfort and offering a tactile invitation to pause, sink in, and stay. The fiber concrete designs, by contrast, suggest weight and permanence yet reveal themselves as astonishingly light, effortless to move, and full of surprising ease.

Every surface whispers a story. Upholstered in rich textiles, the pieces exude warmth and refinement, while the hand-painted concrete reveals a raw beauty that recalls the poetry of architecture and the fluid grace of sculpture. Together they speak in contrasts of softness and strength, permanence and change, intimacy and bold expression, woven into a harmonious dialogue of form and feeling.

The Big Foot Collection is sculpture for living. Each piece holds a commanding presence, whether standing as a centerpiece or quietly shaping the atmosphere of a room. With bold forms and hand-painted details, the collection transforms everyday function into art, turning spaces into sanctuaries where design and life merge seamlessly.

Color Description

A warm dark beige base accented with lighter sandy beige highlights in the boucle weave. The tonal play creates a smoky, sun-worn effect that feels versatile and refined.

Big Foot Stool - Smoked Sand

Maintenance Guide Description

Bouclé's looped yarns give it its charm but also require mindful care. Vacuum the upholstery regularly with a soft brush attachment to remove dust and prevent dirt from settling between the loops. To protect the fabric, avoid contact with sharp objects or rough clothing that may snag the fibers.

In the event of spills, gently blot with a clean, dry cloth never rub, as this may distort the loops or spread the stain. For light soiling, use a mild upholstery cleaner suitable for synthetic fabrics and always test on a hidden area first. Professional upholstery cleaning is recommended for deeper maintenance.

Keep bouclé furniture away from direct sunlight to prevent fading, and avoid prolonged exposure to moisture. With simple care, bouclé will maintain its softness, texture, and inviting comfort for years to come.

Materials Description

Bouclé is a distinctive fabric woven from looped yarns that create its signature soft, tactile texture. Crafted from 100% PES (polyester), it combines luxurious comfort with excellent durability, making it perfectly suited for upholstered furniture. The nubby surface adds visual depth and a cozy, inviting feel, ideal for living rooms, bedrooms, or any space where warmth and style meet. With its unique blend of softness and resilience, bouclé remains a timeless choice designed to endure everyday use.